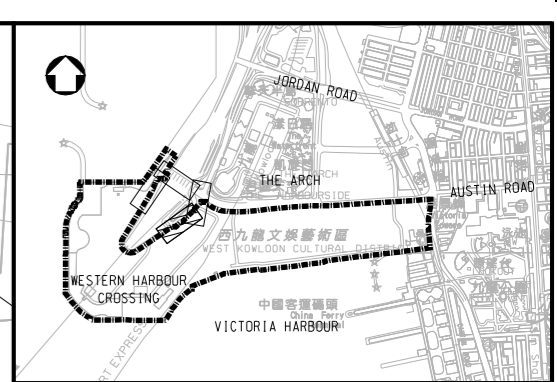


**ROAD ALIGNMENT PLAN**  
SCALE 1:250



**KEY PLAN**  
SCALE 1:15000

- NOTES:**
1. ALL DIMENSIONS ARE IN MILLIMETRES UNLESS NOTED OTHERWISE.
  2. ALL LEVELS ARE IN METRES TO PRINCIPAL DATUM (PD) UNLESS NOTED OTHERWISE.
  3. ALL CO-ORDINATES REFER TO HONG KONG (1980) METRIC GRID CO-ORDINATES SYSTEM.

**LEGEND:**

--- SITE BOUNDARY

Rev	Date	Drawn	Description	Ch'kd	App'd
P2	MAY 13	MING	GENERAL REVISION	EY	AFK
P1	JUN 12	PL	FIRST ISSUE	OW	SB

Client  
**WEST KOWLOON CULTURAL DISTRICT AUTHORITY**

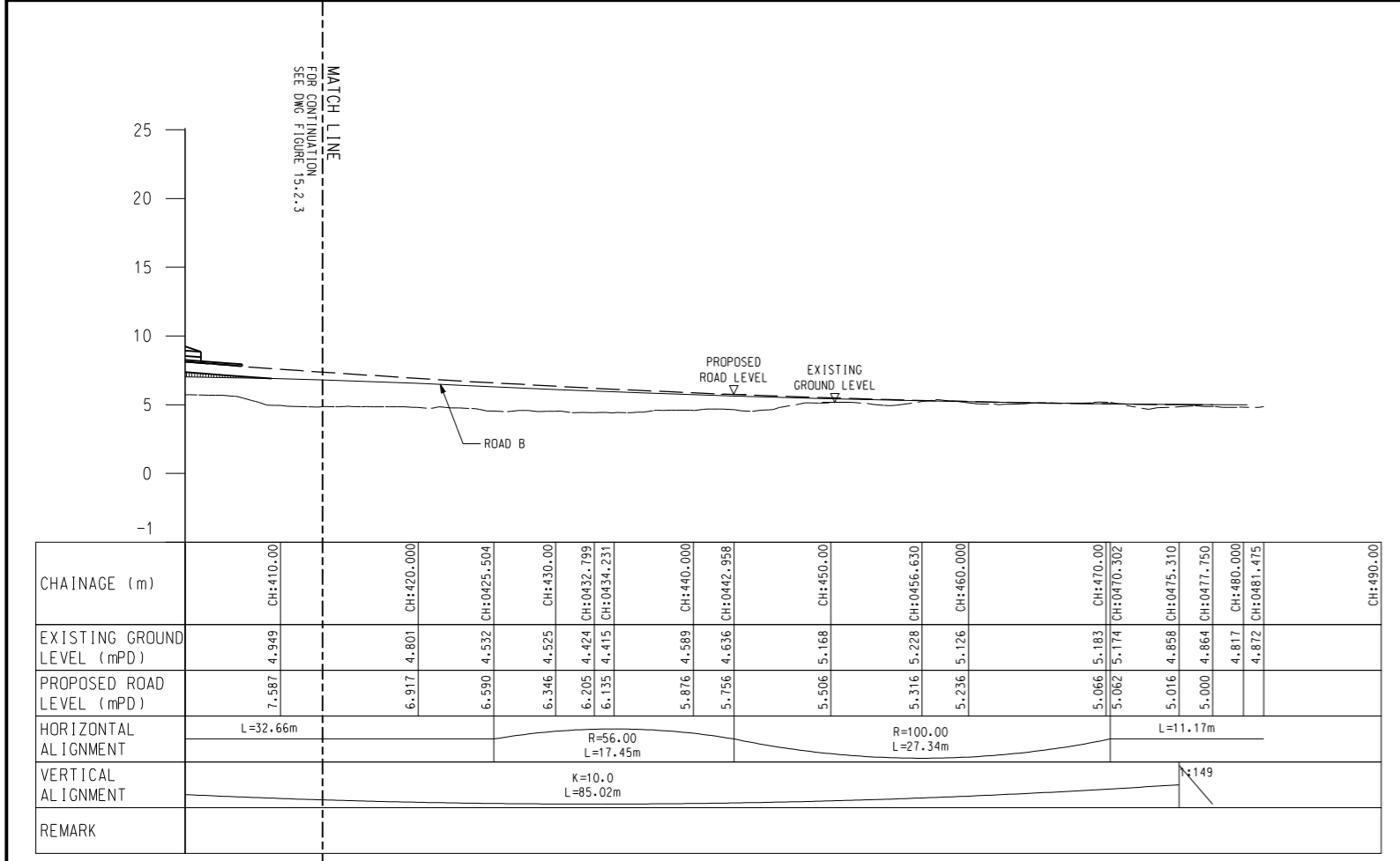
20F Two Landmark East  
100 How Ming Street  
Kowloon  
Hong Kong  
☎ +852 2828 6767  
☎ +852 2827 1623  
www.mottmac.com.hk

Project  
**PROJECT CONSULTANCY STUDY FOR WEST KOWLOON CULTURAL DISTRICT DEVELOPMENT PLAN**

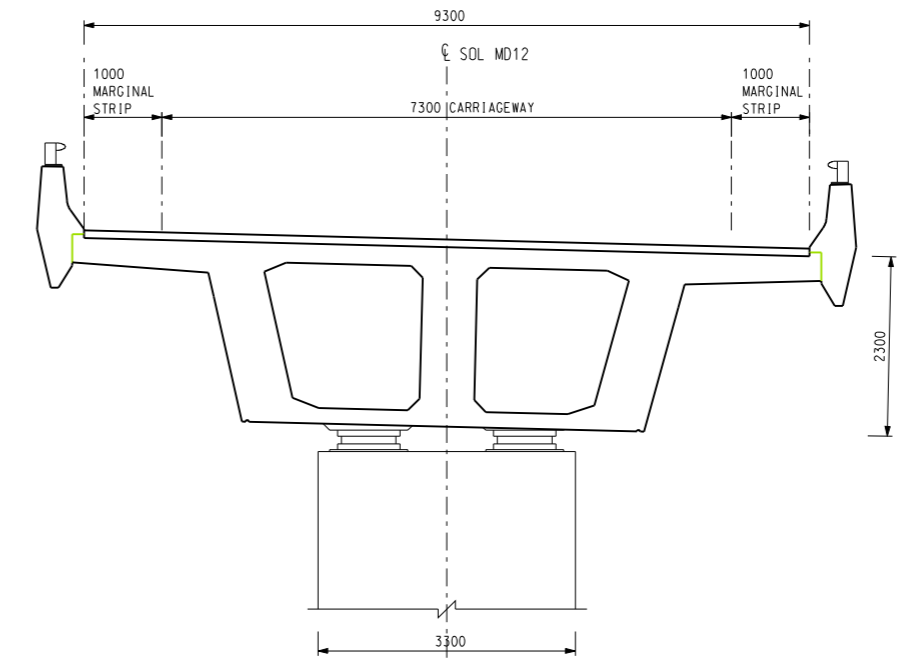
Title  
**PROPOSED AUSTIN ROAD FLYOVER PROFILE OF LAYOUT PLAN (SHEET 4 OF 4)**

Designed	JC	Eng check	OW
Drawn	LUN	Coordination	CC
Dwg check	OW	Approved	SB
Scale at A1	Status	Rev	
<b>AS SHOWN</b>	<b>PRE</b>	<b>P2</b>	

Drawing Number  
**FIGURE 15.2.4**



**ROAD PROFILE**  
SCALE 1:250



**TYPICAL SECTION**  
SCALE 1:50

CHAINAGE (m)	CH: 410.00	CH: 420.000	CH: 0425.504	CH: 430.00	CH: 0432.799	CH: 0434.231	CH: 440.000	CH: 450.00	CH: 0456.630	CH: 460.000	CH: 470.00	CH: 0470.302	CH: 0475.310	CH: 0477.750	CH: 480.000	CH: 0481.475	CH: 490.00
EXISTING GROUND LEVEL (mPD)	7.587	4.949	4.801	4.532	4.525	4.424	4.415	4.589	4.636	5.168	5.183	5.174	4.858	4.864	4.817	4.872	
PROPOSED ROAD LEVEL (mPD)		7.587	6.917	6.590	6.346	6.205	6.135	5.876	5.756	5.506	5.066	5.062	5.016	5.000	4.817	4.872	
HORIZONTAL ALIGNMENT	L=32.66m		R=56.00 L=17.45m				R=100.00 L=27.34m				L=11.17m						
VERTICAL ALIGNMENT	K=10.0 L=85.02m																
REMARK																	